



## Dewhurst Compact 2 Bar Button

The Compact 2 Bar Button has been designed as an extra long button and is ideal for use as a main floor button, where its extra size helps users to quickly identify that floor.

The Compact 2 Bar Button matches our circular ranges (US91, US91-15 and US95) but can also be used in conjunction with all our ranges. The design of the button is based on the standard Compact 2, so you can be sure of its long life, durability and vandal resistance.

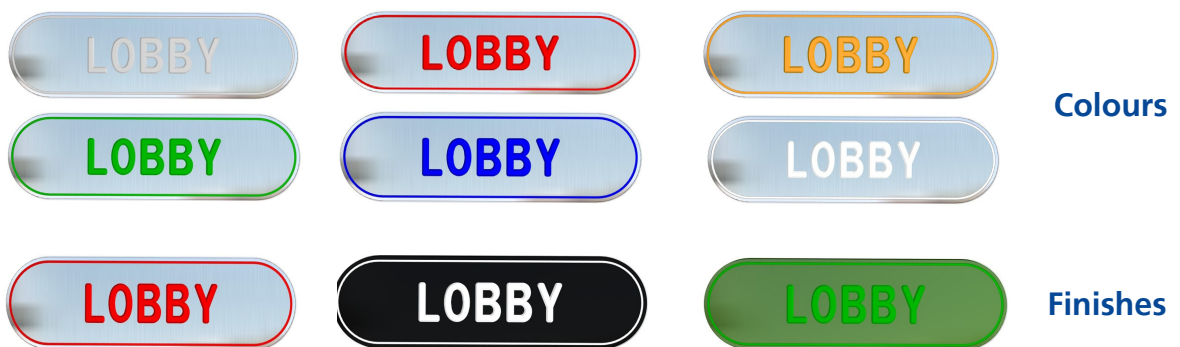
## Features & Benefits

- Extra long button
- 15mm tactile legend with Braille option
- A halo of light between the pressel and surround via a patented hidden recess encircles the pressel and illuminates the legend
- Legend & halo can be constantly illuminated at half intensity, switching to full intensity for indication of position or call acceptance
- Large range of pressel legends
- Matching range includes keyswitches, rocker switches and indicators
- Vandal resistant with stainless steel front
- Meets EN81-1/2, EN81-71 (Category 2), EN81-72, EN81-73, EN60529 (IP44)

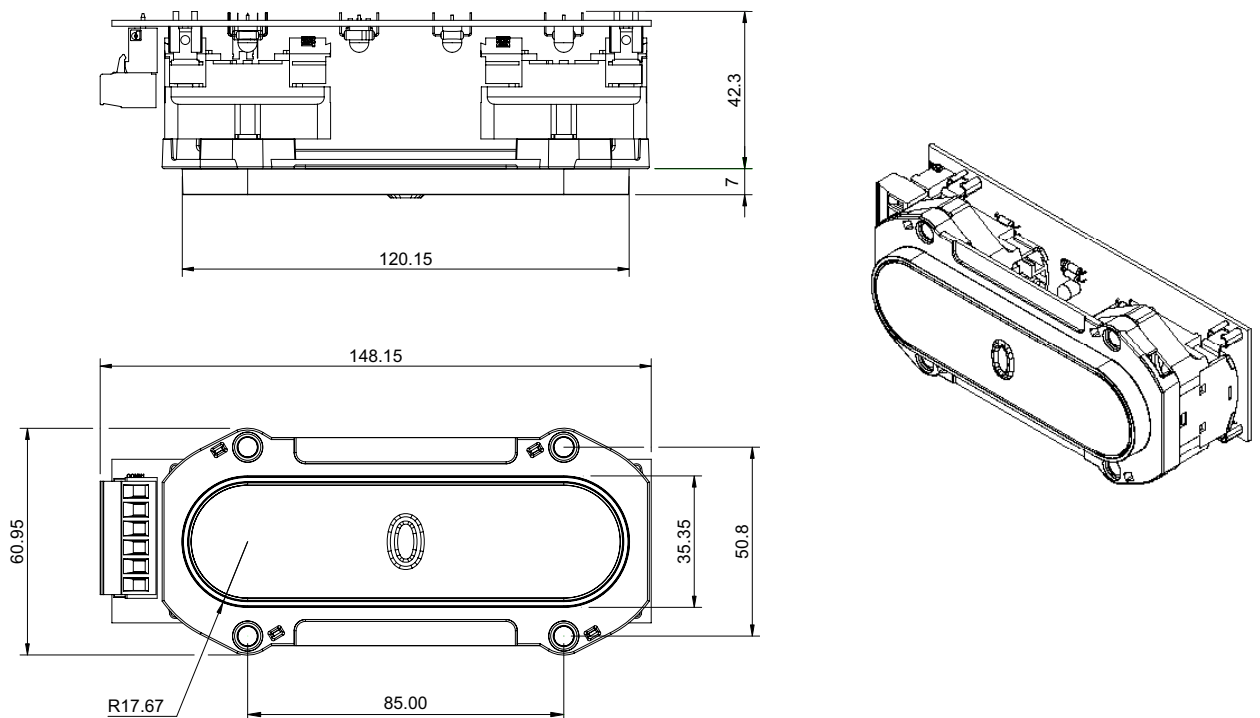
## Illumination, Finishes & Marking

- Wide range of colours for illumination including (non), red, yellow, green, blue and white
- Range of pressel finishes including brushed stainless, mirror stainless, brushed brass and mirror brass\*
- Range of surround finishes and heights - chrome, brass, black - 3.2 and 4.8mm
- Single, dual and bicolour illumination
- A large range of legends in Helvetica Medium characters & symbols are available
- 15mm high, red or grey tactile legends are formed during the moulding of the pressel body. Braille is only available on the moulded through option. If characters are flush or less than 15mm high, then more can be accommodated,

\* Standard pressels are a brushed stainless steel plate moulded with red or opal polycarbonate



## Dimensions

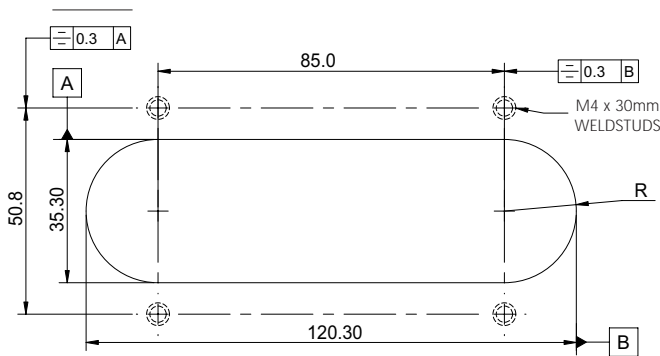


Compact 2 Bar Pushbuttons can be supplied loose or incorporated into stations with 1.5mm or 2.5mm stainless steel faceplates, with a vertical pitch of 65mm and horizontal pitch of 160mm i.e the pushbutton body can be rotated through 90 degrees (horizontal version shown above). If pushbuttons are supplied loose, spacers are provided to accommodate the differing faceplate thickness.

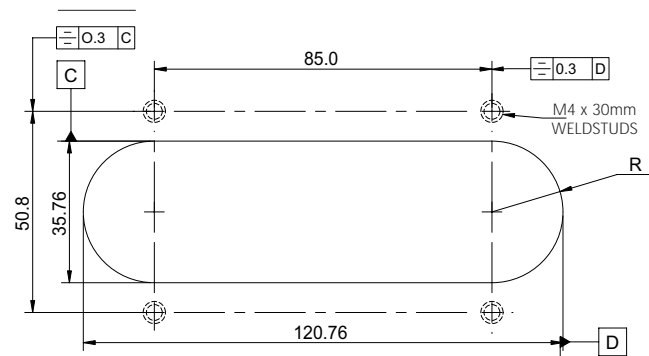
## Technical Details

Weight:	220grms		
Moulded in:	High grade polycarbonate		
Pressel plate material:	Brushed 304 stainless (standard)		
Pressel plate area:	TBA		
Button force:	3.5N		
Pushbutton size:	148.15mm w x 60.95mm h x 42.3mm d		
Pressel size:	120.15mm w x 35.35mm h x 7mm d		
Legend size:	15mm high, Helvetica medium characters		
LED current:	40mA (typically)		
LED voltage:	24 a.c./d.c. ±15%		
Bulb wattage:	3 max		
Bulb voltage:	12/24/110V		
Operation:	Wiping action, slow make and break with solid silver contacts		
Ratings:	10 amps max		
	240V a.c. at 3.0 amps max. resistive loads	- min. no. of operations:	1 x 10 <sup>6</sup>
	240V d.c. at 0.5 amps max. resistive loads	- min. no. of operations:	2 x 10 <sup>6</sup>
	110V d.c. at 100mA max. inductive TC40ms	- min. no. of operations:	1 x 10 <sup>6</sup>
	12V d.c. at 5mA max. resistive loads	- min. no. of operations:	10 x 10 <sup>6</sup>
Contact arrangements:	1 N/O <small>Please note that it is possible for the N/O contact to make before the N/C contact has opened on the 1 N/O + 1 N/C configuration</small>		
Code compliance:	Meets EN81-1/2, EN81-71(Category 2), EN81-72, EN81-73		
IP Rating:	EN60529 (IP54)		

## Cutouts & Stud Positions

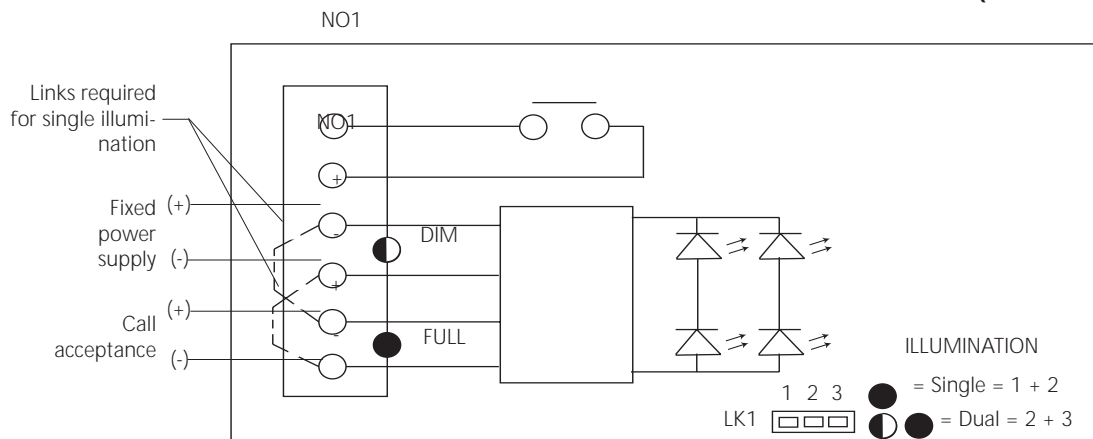


US91 Bar Button Cutout (Flush Version)



US91 Bar Button Cutout (Protruding Version)

## Wiring



Note: Set jumper LK1 for single or dual illumination option

## Cleaning your Bar Button Pushbutton

Many **Dewhurst** lift products are made of **polycarbonate** (Using GE's **Lexan®** or Bayer's **Makrolon®**).

The Bar Button is highly durable and vandal resistant but plastic parts can be damaged by aggressive cleaning agents, Dewhurst therefore recommends:



Clean the part with a **cotton cloth and warm water** before applying the cleaning product



Use **PH-neutral or slightly acid cleaning products only** (including aromatised ones) Ethylic alcohol, isopropyl alcohol or ethylene glycol based multipurpose cleaning products and dish soaps are suggested.



Dilute the cleaning product in warm water and apply using a wet cotton cloth.



**Grease, glue and paint** may be removed with ethylic alcohol or isopropyl alcohol.

### Recommended Cleaning Products (\*):

Europe	North America
Windus - Brial Top - Ecolab Mr. Proper Surfaces Delicates - Proctor & Gamble Palmolive, Colgate Palmolive	Formula 409® Cleaner Degreaser Joy®, Proctor & Gamble Windex, Drackett Products Palmolive, Colgate Palmolive

(\*): Due to the vast number of cleaning products available on the market, the list of recommended products above is an illustration only

### Note:

- Do not use abrasive cleaning agents
- Do not use sharp tools to remove dirt (chewing gum, glue, etc.)
- Do not use solvents based with Ketones, benzene, methanol, toluene (also known as methylbenzene or phenyl methane) or alkaline and ammonia based cleaning agents
- Do not use cleaning agents at high temperatures
- Do not leave cleaning agents on the parts for long periods: remove immediately after cleaning using a wet cotton cloth and warm water
- Do not use dry cotton cloths and sponges